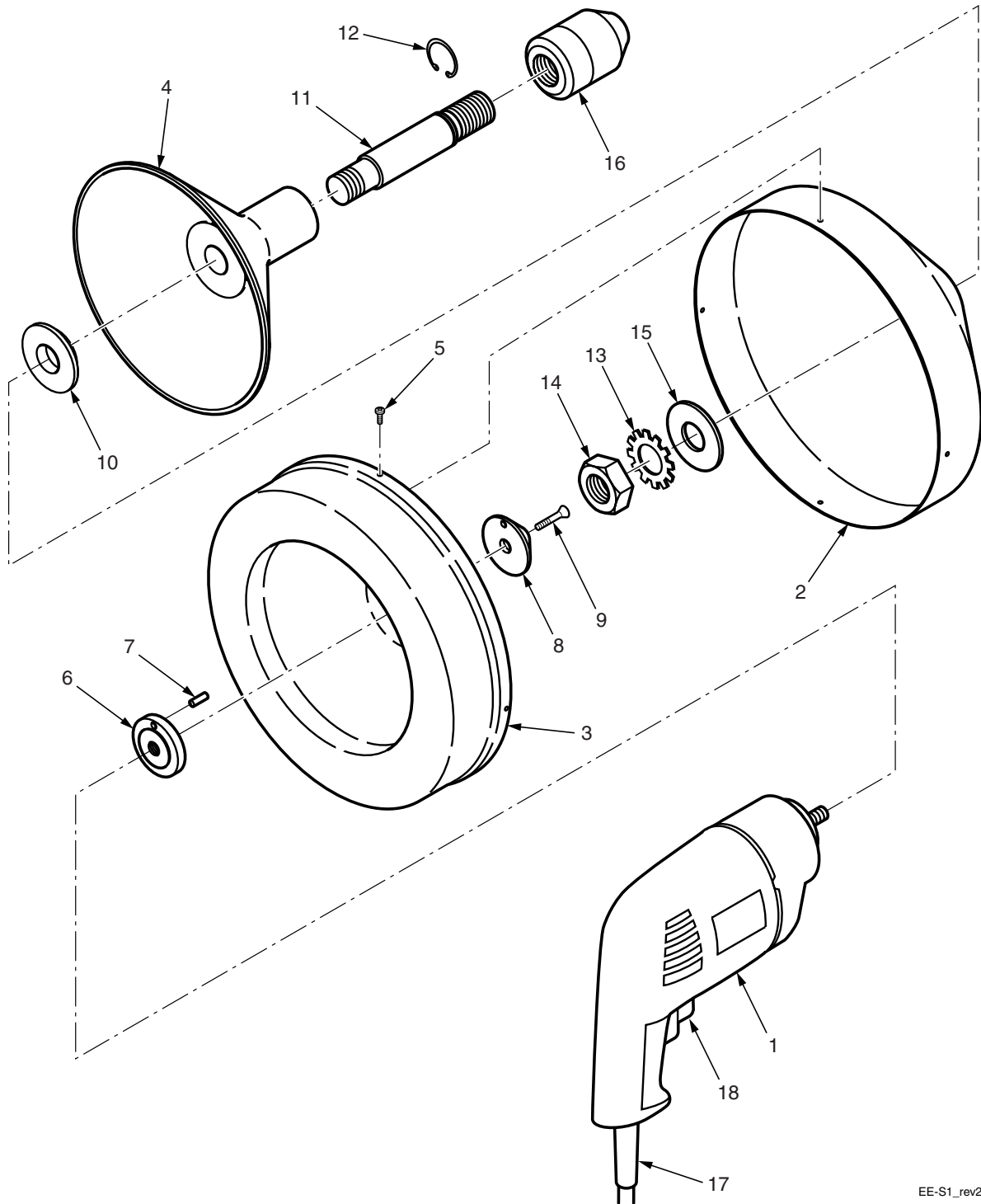


MODEL S DRAIN CLEANING MACHINE



EE-S1_rev2

MODEL S DRAIN CLEANING MACHINE

ITEM NUMBER	PART NUMBER	DESCRIPTION	AMT
1	S-DRL	Replacement Drill	1
2	S-1	Stainless Steel Drum	1
3	S-2	Drum Cover	1
4	S-4	Hand Guard	1
5	MS63238SS	Stainless Sheet Metal Screw	1
6	S-7*	Spacer	1
7	RP1812	Spiral Pin for S-7	1
8	S-8	Lock Collar	1
9	LHS103278	Left Hand Thread Screw	1
10	S-6	Collar	1
11	S-5***	Spindle	1
12	RR87	Retaining Ring	1
13	LW34E	External Lockwasher	1
14	NU3416J	Hex Jam Nut	1
15	S-9	Washer	1
16	S-JC	Jacobs Chuck	1
17	S-PC	Plug In Cord	1
18	S-TRSW**	Trigger Switch	1

* Includes Item 7

** Prior to Serial No. 13871 use Part Number S-TRSWO - April 1999

*** S-5A Includes Items 10 through 15