

**QUALITY**

**TOOLS AND**

**ACCESSORIES**

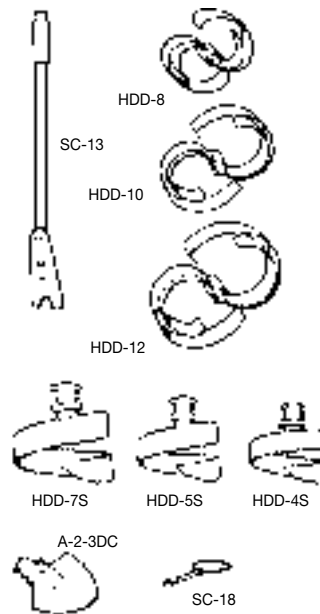
**FOR YOUR**

**TOUGHEST JOBS.**

## ELECTRIC EEL

### MODEL 800...THE INFINITELY VARIABLE DRIVE SPEED SYSTEM

#### Standard Equipment



#### Initial Opening Tools

- A-2-3DC. 3" tool for removing hard deposits in 4" and larger lines

#### Heavy Duty Tools.

- HDD-4S. Heavy-duty clean-up tool for 4" pipelines
- HDD-5S. Heavy-duty clean-up tool for 6" pipelines
- HDD-7S. Heavy-duty clean-up tool for 8" pipelines

#### Feeding Tool.

- SC-13. Helps operator start cable through traps and bends

#### Spanner Wrench.

- SC-18. Disconnects cables and tools

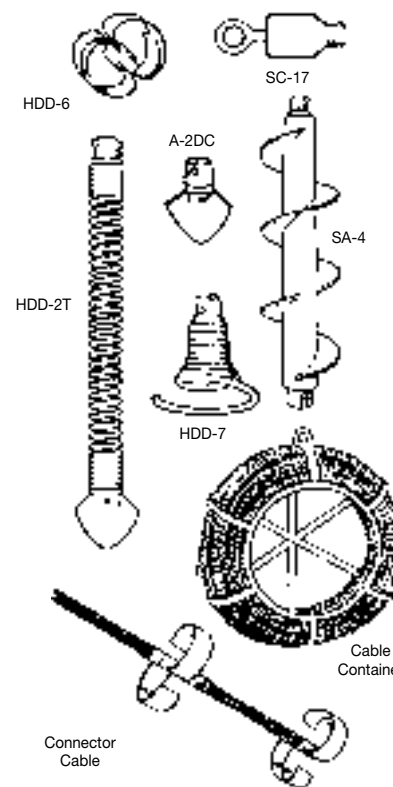
#### Heavy Duty Municipal Cable.

- (25) 8 ft. sections — 200 ft.

#### Finishing Tools.

- HDD-8\*. "S" shaped for 8" pipelines
- HDD-10\*. "S" shaped for 10" pipelines
- HDD-12\*. "S" shaped for 12" and 14" pipelines

#### Optional Equipment



#### Initial Opening Tools.

- HDD-2T. 2-3/8" starting tool for 4" pipelines with "P" trap
- A-2DC. 2-3/8" starting tool for completely blocked lines

#### Retrieving Tool.

- HDD-7. 3" tool for retrieving objects from pipeline

#### Finishing Tool.

- HDD-6\*. "S" shaped for 6" pipelines

#### Accessories.

- SC-17. Swivel Cable Puller for threading cable through pipeline
- SA-4. Sand Auger Tool. Affix a spade-type tool for use on culverts under roadways
- Connector Cable with finishing tools in tandem (shown below)
- Set of Manhole Guide Tubes to minimize cable kinkage in manholes
- Guide tube jack to anchor guides at top of manhole
- Trailer, complete with tool box, loading ramps and engine tie-downs (pictured on page 3)
- Cable Reel up to 500 foot capacity with cable hold-down and reel crank (pictured on page 3)
- Cable Container. Provides convenient handling and storage of up to 56 feet of cable.
- Chain Flail, available to clean larger lines, up to 24".

\*Available with or without tandem hub connector for thorough cleaning operation in 6" through 14" diameter pipelines.

Note: Always refer to operator's manual and safety instructions before operating any drain and sewer cleaning equipment.

**For More Information, Call 1-800-833-1212.**

ELECTRIC EEL MANUFACTURING CO., INC.  
501 W. Leffel Lane, Springfield, Ohio 45501-9985  
937-323-4644 Toll-Free: 800-833-1212  
FAX 937-323-3767 www.electriceel.com

PROFESSIONALLY ENGINEERED TO CLEAN UP TO 24" DIAMETER PIPELINES WITH LENGTHS UP TO 650 FEET.



## ELECTRIC EEL

### MODEL 800...THE INFINITELY VARIABLE DRIVE SPEED SYSTEM

**CLEAN PIPES FOR**

**MUNICIPALITIES AND**

**INDUSTRY WITH MORE**

**POWER AND VERSATILITY**

**THAN EVER BEFORE.**

**Electric Eel**  
DRAIN CLEANING TOOLS FOR PROFESSIONALS

**Electric Eel**  
DRAIN CLEANING TOOLS FOR PROFESSIONALS

**MODEL 800...THE INFINITELY VARIABLE DRIVE SPEED SYSTEM**

**FINALLY, A MODEL**

**WITH MORE VARIABLE**

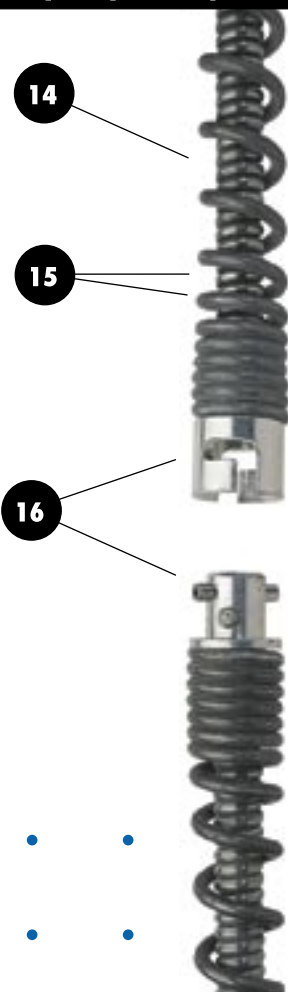
**DRIVE SPEEDS,**

**AN AUTOMATIC**

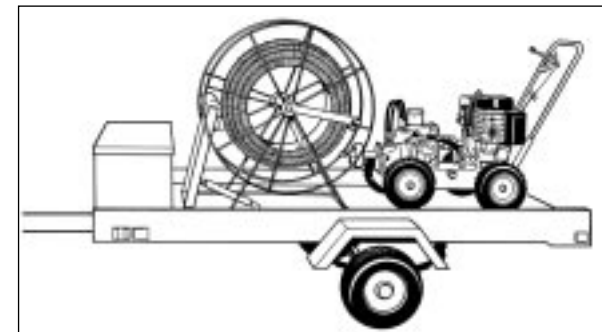
**TRANSMISSION AND**

**BETTER PORTABILITY.**

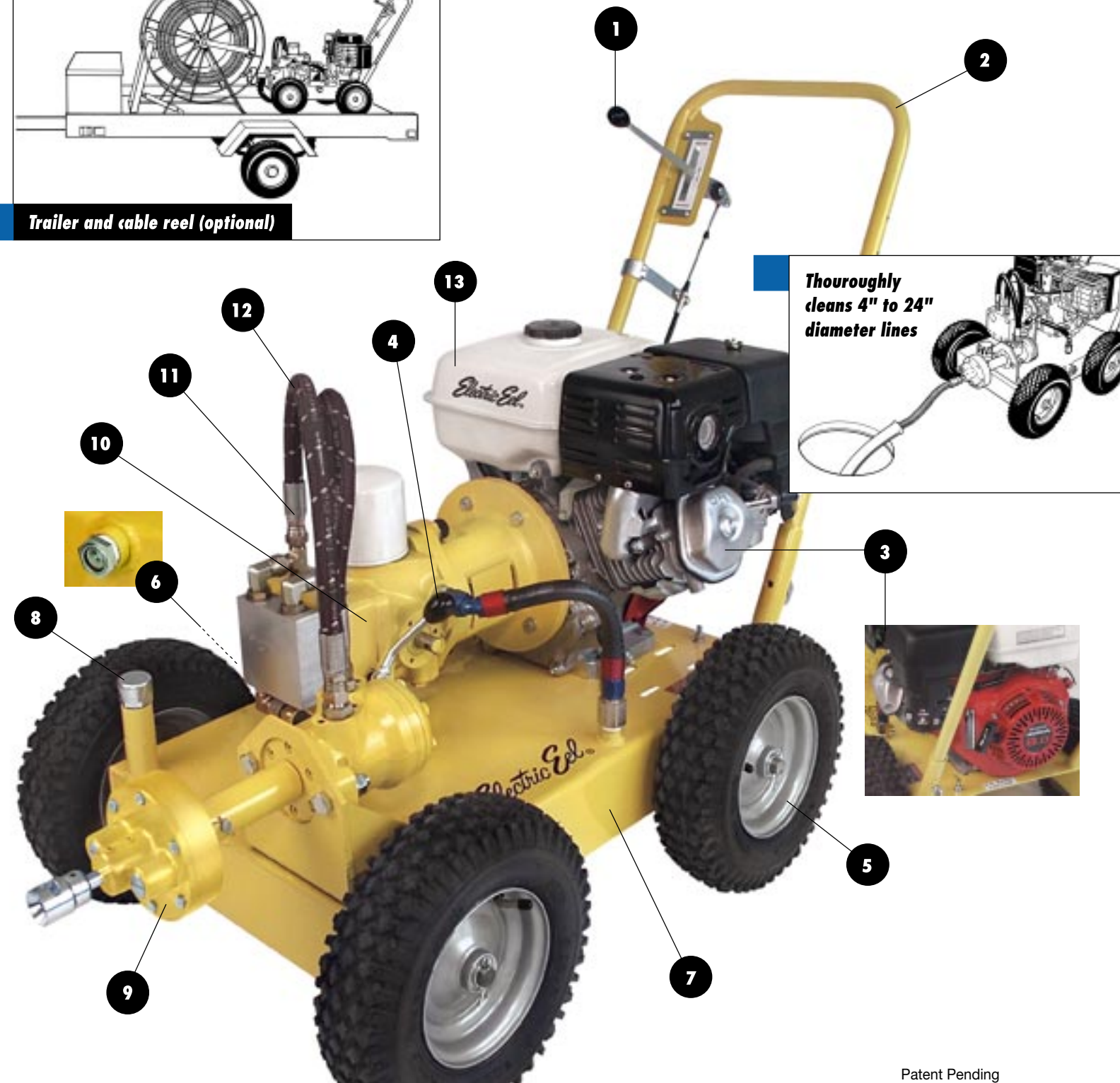
**Heavy Duty Municipal Cable**



1. Convenient hand lever for infinitely variable cleaning speeds at full torque from 50 to 1,000 RPM.
2. Removable handle for compact storage and transport.
3. 8 HP gasoline engine (9 HP diesel optional) provides more horsepower than any comparable model.
4. Safety hydraulic relief valve for cable change operation.
5. Ball bearing steel wheels with 12" pneumatic tires for easy maneuvering.
6. Hydraulic oil tank gauge.
7. Rugged steel base with five gallon (19L) capacity hydraulic oil tank and baffled hydraulic oil cooler.
8. Convenient vented hydraulic oil tank fill.
9. Safety clutch for cable overload protection.
10. Hydraulic pump passes up to 13 GPM. Pump/motor life span of up to 45,000 hours.
11. JIC hydraulic fittings of aircraft design.
12. High pressure hose rated up to 3000 PSI.
13. 1.5 Gal. (5.7L) capacity fuel tank.
14. Self-feeding, 1 1/4-inch (32mm) diameter municipal cable requires no handling by the operator and allows for faster cleaning.
15. Right hand wound outer coils and 11/16" (16mm) diameter left hand wound inner coil, both anchored to the coupling, reduce helixing and loss of cable in pipeline, open space outer coil design helps loosen deposits and auger them back.
16. Patented snap lock couplings provide easy and dependable joining of the 8 ft. (2.45 m) heavy-duty cable sections with no set screws, nuts or loose pins; all drive connector spirol pins are made of hardened stainless steel.



**Trailer and cable reel (optional)**



Patent Pending

**More Power and Convenience Saves Time and Money.  
For More Information, Call 1-800-833-1212.**

**Electric Eel**  
DRAIN CLEANING TOOLS FOR PROFESSIONALS