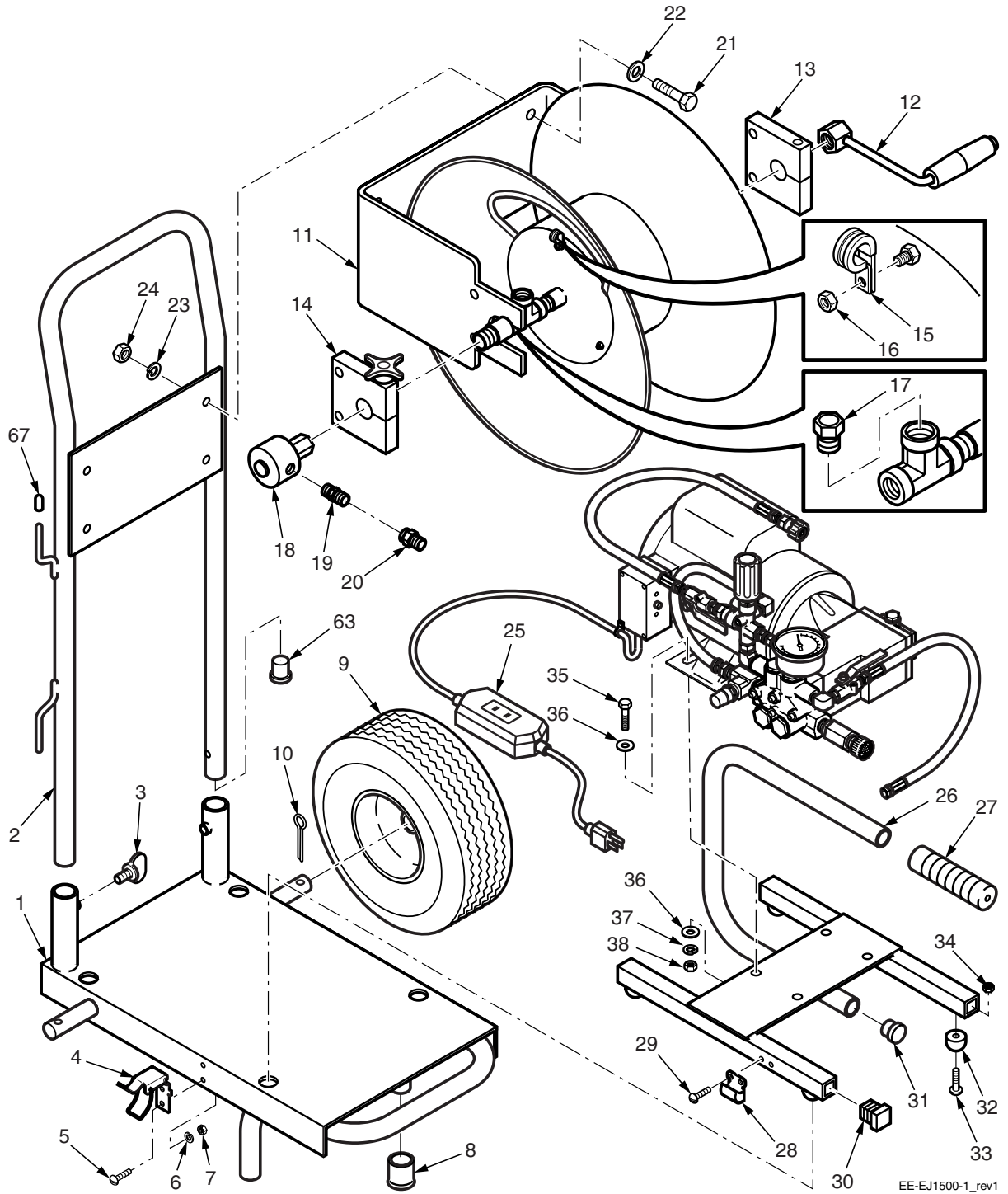


MODEL EJ1500 DRAIN CLEANING MACHINE



MODEL EJ1500 DRAIN CLEANING MACHINE

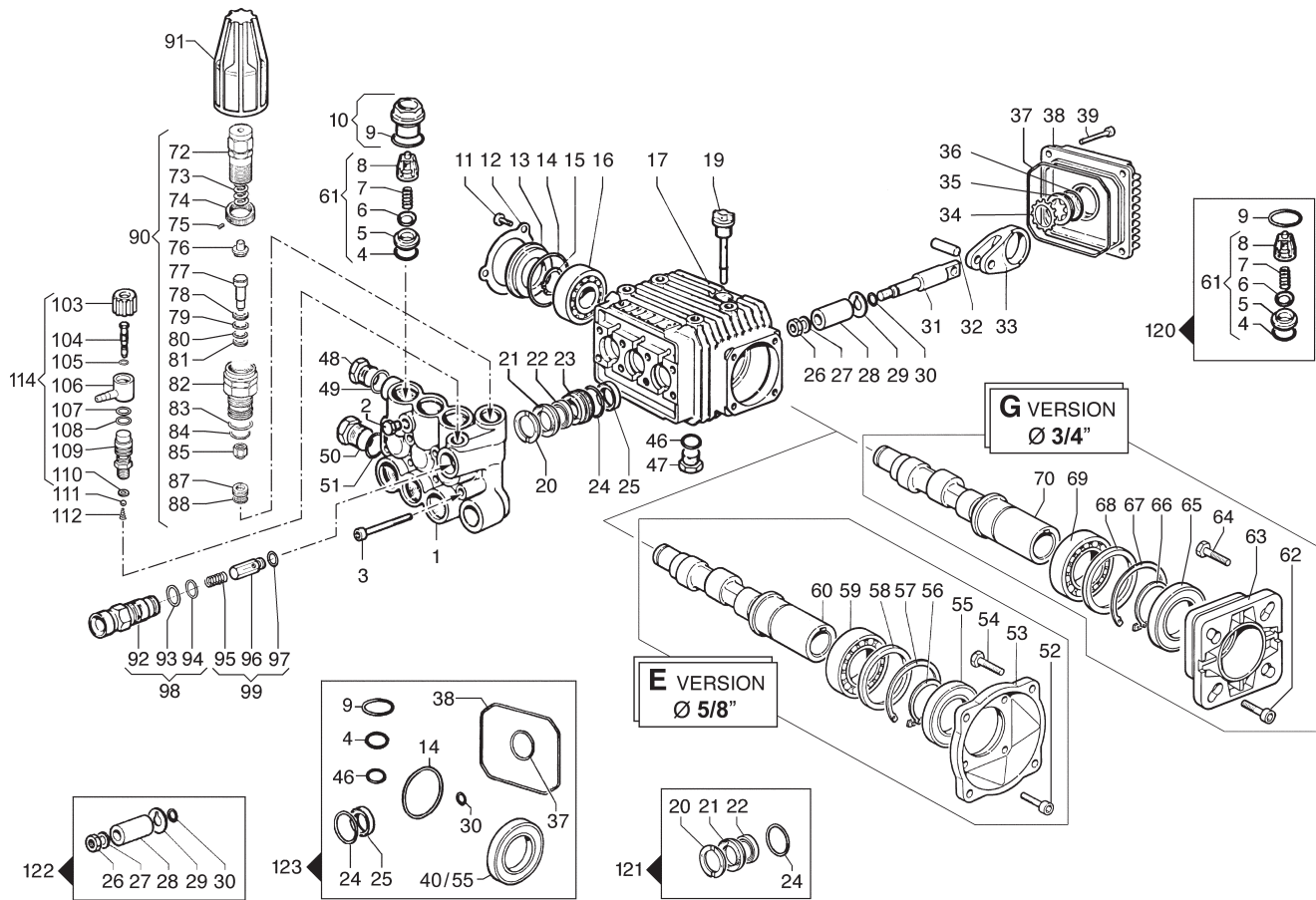
ITEM NUMBER	PART NUMBER	DESCRIPTION	AMT
1	EJ-5	Cart Base	1
2	EJ-6	Handle	1
3	DL-4	Thumb Screw	2
4	1500-HC	Catch	2
5	MS83212RH	8-32 x 1/2 Machine Screw	1
6	LW10	#10 Lockwasher	1
7	NU832FHP	8-32 Hex Nut	1
8	EE-14	Rubber Tips	2
9	D-WP4104	Wheel and Tire Assembly	2
10	CP5321	5/32 x 1 Cotter Pin	2
11	1500-HR	Hose Reel Assembly	1
12	B011003	Reel Handle	1
13	11223000	Bearing Block	1
14	B011050	Bearing Block with Brake	1
15	03191220	Hose Clamp	1
16	NU1420NY	1/4 Nylon Hex Nut	1
17	32200804	1/2 to 1/4 Reducer	1
18	1500-HRSWSE	Reel Swivel	1
19**	33250806	3/8 Nipple	2
20	3341-5	Male Quick Connect Coupler	1
21	CSHH516181	5/16-18 x 1 Hex Head Screw	4
22	WA516S	5/16 SAE Flatwasher	4
23	LW516	5/16 Lockwasher	4
24	NU51618FHP	5/16 Hex Nut	4
25	GFCI	Ground Fault Circuit Interrupter 20' Cord . .	1
26	EJ-2	Power Unit Base	1
27	HG	Handle Grip	1
28	1500-HS	Striker	2
29	MS83212RH	8-32 x 1/2 Machine Screw	4
30	SQ1CP	Cap Plug	4
31	RD1CP	Cap Plug	1
32	EJ-2RF	Rubber Feet	4
33	MS83234RH	8-32 x 3/4 Machine Screw	4
34	NU832FPH	8-32 Hex Nut	4
35	CSHH516181	5/16-18 x 1 Hex Head Capscrew	4
36	WA516S	5/16 Flatwasher	8
37	LW516	5/16 Lockwasher	4
38	NU51618FHP	5/16 Hex Nut	4
39	EJM-1 1/2	Motor 1 1/2 HP	1
40	1500-PUMPH	Pump	1
41	EJ-9	Pulse Hose	1
42	1500-BV	3/8 Ball Valve	2
43	34550606	3/8 Elbow	2

MODEL EJ1500 DRAIN CLEANING MACHINE

ITEM NUMBER	PART NUMBER	DESCRIPTION	AMT
44	1500-ULVH	Unloader Valve	1
45	316204	1/4 Plug	1
46	32200604	3/8 to 1/4 Reducer	1
47	1500-PG	Pressure Gauge	1
48	EJ-7	Bypass Hose	1
49	3341-1	Quick Connect Female Coupler	1
50	EJ-8	Pony Hose	1
51	32200804	1/2 to 1/4 Reducer	1
52	1500-TRVH	Thermal Relief Valve	1
53	3750080808	1/2 Run-T	1
54*	54050808	1/2 Bushing	1
55	21520128	Garden Hose Swivel	1
56	3000-IS	Filter Screen	1
57	SW-BOOT	Toggle Switch Boot	1
58	1500-SW	Toggle Switch On/Off	1
59	1500-SWP	Switch Plate	1
60	CH31S10	Wire Clamp	1
61	C-TSC12	Screw Connector	1
62	1500-TOSB	Thermal Overload Switch	1
63	RD1CP	Cap Plug	1
64	CSHH38161	3/8-16 x 1 Hex Head Screw	4
65	LW38	3/8 Lockwasher	4
66	K316964138	3/16 x 9/64 x 1 3/8 Key	1
67	DL6CAP	Cord Hook Cap	2

* Item required prior to March 2004

** Prior to June 2005 part no. is 33250606



N°	Cod.	Descrizione	Description	Note	Qty	Model
1	3218 0319	Testata Pompa Ottone	Brass Pump Manifold	Ø15	1	
2	3202 0018	Tappo	Cap	G1/8	1	
3	3609 0108	Vite	Screw	M6x55	8	
4	1210 0046	Guarnizione OR	O-Ring	2,62x17,13	6	
5	3009 0087	Sede Valv. Aspir./Mand.	Suct./Del. Valve Seat		6	
6	3604 0017	Valvola Aspir./Mand.	Suct./Del. Valve		6	
7	1802 0177	Molla Valv. Asp./Mand.	Suct./Del. Valve Spring		6	
8	1205 0025	Gabbia Valv. Asp./Mand.	Suct./Del. Valve Cage		6	
9	1210 0048	Guarnizione OR	O-Ring	2,62x20,24	6	
10	3202 0312	Tappo + OR	Cap + O-Ring		6	
11	3609 0088	Vite	Screw	M5x10	3	
12	1004 0012	Flangia Tenuta	Crankcase Flange		1	
13	0402 0172	Coperchio	Cover		1	
14	1210 0386	Guarnizione OR	O-Ring	3,53x44,04	1	
15	3019 0011	Seeger Esterno	Outer Seeger		1	
16	0438 0066	Cuscinetto a Sfere	Ball Bearing	20x52x15	1	
17	0403 0128	Carter Pompa	Pump Crankcase		1	
19	3200 0051	Asta Livello Olio	Oil Dipstick		1	
20	0009 0196	Anello Pressione	Packing Head Ring	Ø15	3	
21	1241 0065	Guarnizione Tenuta	Packing	Ø15	3	
22	1241 0030	Guarnizione Tenuta	Packing	Ø15	3	
23	0009 0198	Anello Portaguarniz.	Packing Retainer	Ø15	3	
24	1210 0223	Guarnizione OR	O-Ring	1,78x26,7	3	
25	0019 0095	Anello Tenuta	Oil Seal	15x24x5	3	
26	0600 0048	Dado Speciale	Special Bolt		3	
27	2811 0080	Rondella	Washer	8,2x14x1,5	3	
28	0202 0020	Bussola Ceramica	Ceramic Bushing	Ø15	3	
29	2812 0038	Rondella	Washer		3	
30	1210 0055	Guarnizione OR	O-Ring	1,78x6,07	3	
31	2409 0044	Pistone Guida	Piston Guides		3	
32	3011 0014	Spinotto	Gudgeon Pin		3	
33	0205 0048	Kit Biella	Con. Rod Assembly		3	
34	3019 0033	Seeger Esterno	Outer Seeger	Ø28	1	
35	3201 0026	Spia Livello Olio	Oil Indicator		1	

N°	Cod.	Descrizione	Description	Note	Qty	Model
36	1210 0333	Guarnizione OR	O-Ring	1,78x23,52	1	
37	1210 0621	Guarnizione OR	O-Ring	3,0x94	1	
38	0402 0142	Coperchio Carter	Crankcase Cover		1	
39	3609 0041	Vite	Screw	M6x25	4	
46	1210 0441	Guarnizione OR	O-Ring	2x14	1	
47	3200 0007	Tappo	Plug	3/8 GAS	1	
48	3200 0007	Tappo	Plug	3/8 GAS	1	
49	2811 0084	Rondella	Washer	16,7x22x1,5	1	
50	3202 0015	Tappo	Plug	G1/2	1	
51	2811 0086	Rondella	Washer	21,2x27x1,5	1	
52	3609 0032	Vite	Screw	M6x20	4	
53	3016 0016	Flangia	Flange	NEMA 56 C	1	
54	3607 0200	Vite Testa Esagonale	Hexagonal Screw	3/8"16 UNFx3/4"	4	
55	0019 0075	Anello Tenuta Olio	Oil Seal	35x62x7	1	
56	3019 0004	Seeger Esterno	Outer Seeger	Ø35	1	
57	3020 0012	Seeger Interno	Inner Seeger	Ø62	1	
58	2812 0064	Rondella Distanziale	Spacer		1	
59	0438 0015	Cuscinetto a Sfere	Ball Bearing	35x62x14	1	
60	0001 0336	Albero Femmina	Hollow Shaft	Ø 5/8"	1	2020 E
	0001 0337	Albero Femmina	Hollow Shaft	Ø 5/8"	1	3020 E
61	1220 0030	Gruppo Valv. Asp./Mand.	Suct./Del. Valve Ass.y kit		6	
62	3609 0032	Vite	Screw	M6x20	4	
63	3016 0012	Flangia	Flange	SAE J 609 A	1	
64	3607 0199	Vite Testa Esagonale	Hexagonal Screw	5/16"24 UNFx3/4"	4	
65	0019 0075	Anello Tenuta Olio	Oil Seal	35x62x7	1	
66	3019 0004	Seeger Esterno	Outer Seeger	Ø35	1	
67	3020 0012	Seeger Interno	Inner Seeger	Ø62	1	
68	2812 0064	Rondella Distanziale	Spacer		1	
69	0438 0015	Cuscinetto a Sfere	Ball Bearing	35x62x14	1	
70	0001 0406	Albero Femmina	Hollow Shaft	Ø 3/4"	1	2520 G
	0001 0451	Albero Femmina	Hollow Shaft	Ø 3/4"	1	3020 G- 3025 G
	0001 0383	Albero Femmina	Hollow Shaft	Ø 3/4"	1	3522 G
72	0204 0073	Boccola	Bushing		1	
73	1802 0281	Molla	Spring	180 Bar - 2610 psi	1	

N°	Cod.	Descrizione	Description	Note	Qty	Model
74	1227 0051	Ghiera	Ring Nut		1	
75	3622 0049	Vite senza Testa Es. Inc.	Stop Adjustable Nut		1	
76	0009 0367	Distanziale Molla	Spring Spacer		1	
77	2409 0148	Asta Valvola	Rod		1	
78	0009 0365	Anello	Ring		1	
79	1210 0613	Guarnizione OR	O-Ring		1	
80	1210 0614	Guarnizione OR	O-Ring		1	
81	0009 0366	Anello	Ring		1	
82	0204 0071	Boccola	Bushing		1	
83	1210 0615	Guarnizione OR	O-Ring		1	
84	1210 0616	Guarnizione OR	O-Ring		1	
85	3002 0673	Supporto/Sfera	Support/Ball		1	
87	30090164	Sede Valvola Regol.	Valve Seat		1	
88	12100603	Guarnizione OR	O-Ring	Ø1,78X8,73	1	
90	1215 0402	Kit Valv. Regol. + Sede	Reg. Valve Kit + Seat	180 Bar - 2610 psi	1	
91	1817 0054	Manopola Pressione	Pressure knob		1	
92	3410 0290	Eiettore	Injector Body	Ø1,8 - M22X1,5	1	
	3410 0288	Eiettore	Injector Body	Ø1,8 - NPT	1	
93	1210 0398	Guarnizione OR	O-Ring		1	
94	1210 0402	Guarnizione OR	O-Ring		1	
95	1802 0197	Molla	Spring		1	
96	2409 0122	Pistone NON Ritorno	Check Valve		1	
97	1210 0460	Guarnizione OR	O-Ring	Ø2,4x4,3	1	
98	3410 0289	Kit Eiettore	Injector Body Kit	Ø1,8 - M22X1,5	1	
	3410 0287	Kit Eiettore	Injector Body Kit	Ø1,8 - NPT	1	
99	2409 0123	Ki Pistone NON Ritorno	Check Valve Kit		1	

N°	Cod.	Descrizione	Description	Note	Qty	Model
103	1817 0046	Manopola Detergente	Detergent Knob		1	
104	0015 0171	Asta	Rod		1	
105	1210 0400	Guarnizione OR	O-Ring		1	
106	2801 0060	Raccordo Detergente	Detergent Coupling		1	
107	1210 0399	Guarnizione OR	O-Ring		1	
108	1210 0401	Guarnizione OR	O-Ring		1	
109	2803 0373	Raccordo	Coupling		1	
110	2812 0067	Rondella	Washer		1	
111	3003 0026	Sfera	Ball		1	
112	1802 0180	Molla	Spring		1	
114	3301 0543	Kit Manopola Detergente	Detergent Knob Kit		1	

Kit Ricambi

Spare Parts Kit

N°	Cod.	Descrizione	Description	Note	Qty	Model
120	5025 0011	Kit Valvole	Valve Kit		1	
121	5019 0035	Kit Guarnizioni Acqua	Water Seal Kit	Ø15	1	
122	2409 0071	Kit Pistone	Piston kit	Ø15	1	
123	5019 0041	Kit Guarnizioni Olio	Oil Seal Kit	Femmina/ Hollow	1	