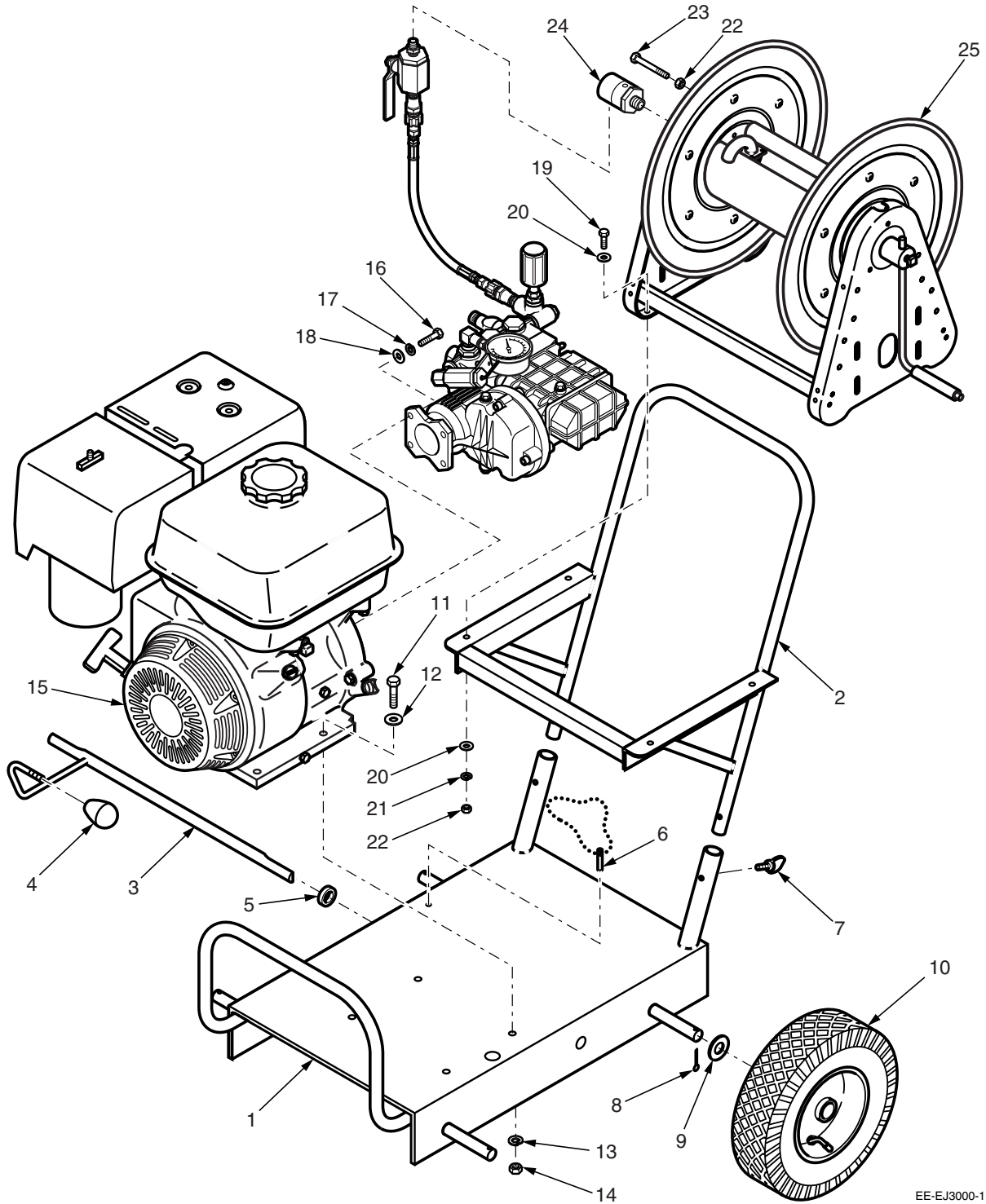
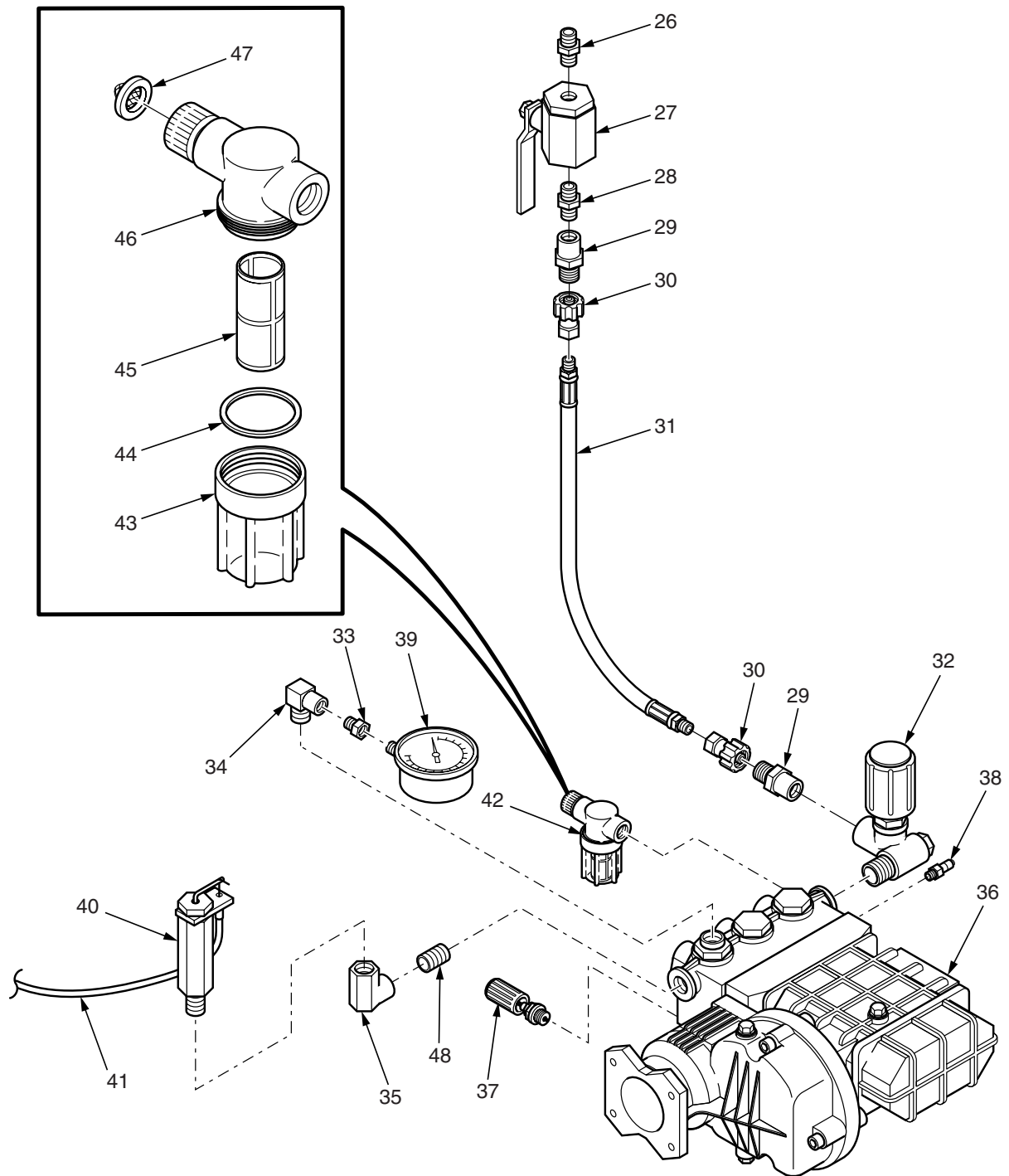


MODEL EJ3000 DRAIN CLEANING MACHINE



EE-EJ3000-1

MODEL EJ3000 DRAIN CLEANING MACHINE



EE-EJ3000-2_rev2

MODEL EJ3000 DRAIN CLEANING MACHINE

ITEM NUMBER	PART NUMBER	DESCRIPTION	AMT
1	JB-1A	Jetter Base	1
2	JB-2A	Handle Reel Support	1
3	JB-3A	Brake Shaft	1
4	DE-14	Brake Lever Knob	1
5	DF-8	Brake Shaft Collar	2
6	JB-5	Brake Retainer Pin	1
7	DL-4	Thumb Screw	2
8	CP532114	5/32 x 1 1/4 Cotter Pin	4
9	D-WA34P	3/4 USS Flatwasher	4
10	325-WP4106	Wheel and Tire Assy	4
11	CSHH3816134	3/8-16 x 1 3/4 Hex Head Screw	4
12	WA38S	3/8 SAE Flatwasher	4
13	LW38	3/8 Lockwasher	4
14	NU3816FHP	3/8 Hex Nut	4
15	EJE-13	Engine 13 HP	1
16	CS51624114G5	5/16-24 x 1 1/4 Hex Head Screw	4
17	LW516	5/16 Lockwasher	4
18	1500-HRSWSE	5/16 SAE Flatwasher	4
19	CSHH516181	5/16-18 x 1 Hex Head Screw	4
20	WA516S	5/16 SAE Flatwasher	8
21	LW516	5/16 Lockwasher	4
22	NU51618FHP	5/16 Hex Nut	6
23	CSHH51618234	5/16-18 x 2 3/4 Hex Head Screw	2
24	3000-HRSWRC*	Swivel Assy - Reel Craft	1
25	3000-HR*	Reel Assy - Reel Craft	1
26	33250808	1/2 Nipple	1
27	3000-BV	1/2 Ball Valve	1
28	33250806	Reducer	1
29	33415	Male Quick Connect Coupler	2
30	33411	Female Quick Connect Coupler	2
31	JB-6	Pony Hose	1
32	3000-ULVU	Unloader - UDOR	1
33	32200604	Bushing	1
34	55020606	3/8 Elbow	1
35	509053*****	Elbow	1
36	519488	Pump/Gearbox Assy	1
37	3000-PVU***	Pulse Valve - UDOR	4
38	3000-TRVU****	Thermal Relief Valve - UDOR	1
39	3000-PG	Pressure Gauge	1
40	3000-TBV	Throttle Back Valve and Cable	1
41	3000-TBVC	Throttle Back Valve Cable Only	1
42	3000-FBA	Filter Bowl Assy	1
43	3000-FB	Filter Bowl	1

MODEL EJ3000 DRAIN CLEANING MACHINE

ITEM NUMBER	PART NUMBER	DESCRIPTION	AMT
44	3000-FBG	Gasket	1
45	3000-FBS	Filter Screen	1
46	3000-FBC	Filter Cap.	1
47	3000-IS	Inlet Screen	1
48	33250606	3/8 Nipple	1

- * Prior to SN 1126 (July 24, 1996) use Hose Tract Swivel (Part #1244A) and Reel Assy.
- ** Use for Serial #1311 and #1316 to present. Use Giant Part #22995A (Part #23720 replaced 22995A August 2001) for Serial #1071 and #1076 to #1315. Use Cat Part #7572 for Serial #1075 and earlier.
- *** Use for Serial #1311 and #1316 to present. Use Giant Part #8199 for Serial #1071 and #1076 to #1315.
- **** Use for Serial #1311 and #1316 to present. Use Giant Part #509-306 for Serial #1071 and #1076 to #1315.
- ***** Prior to Serial #1311 use 509056. Item 48 not required with 509056 elbow.