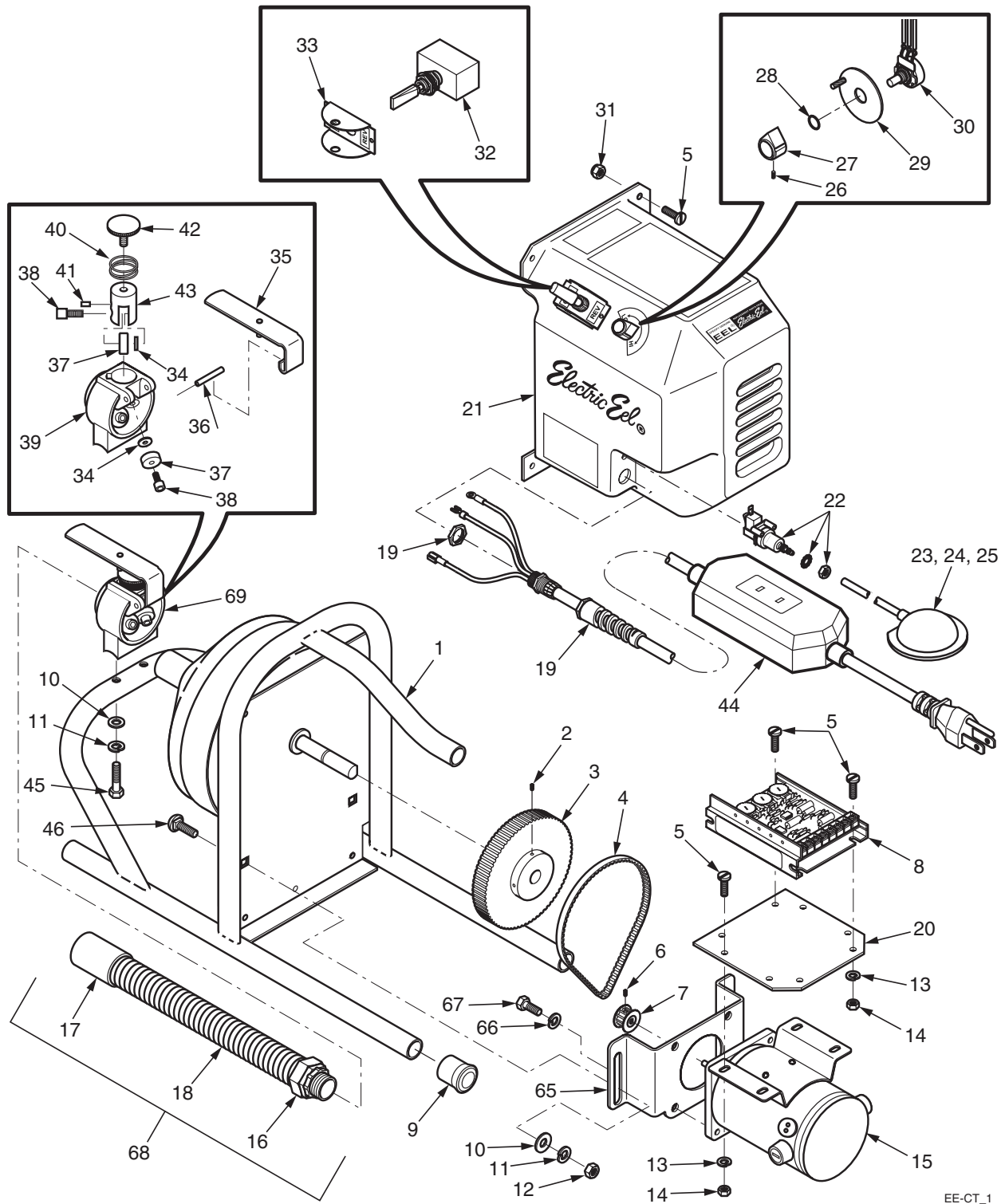
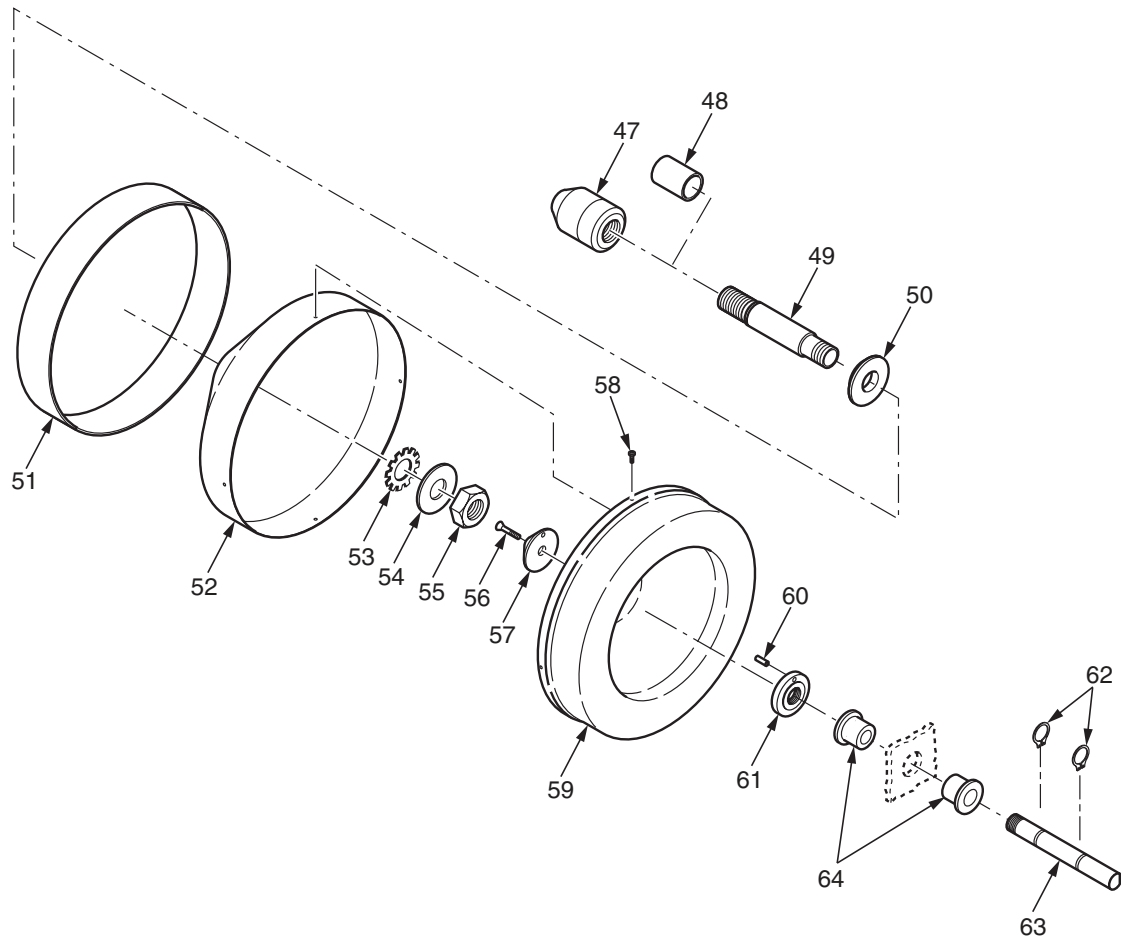


MODEL CT DRAIN CLEANING MACHINE



EE-CT_1

MODEL CT DRAIN CLEANING MACHINE



EE-CT_2

MODEL CT DRAIN CLEANING MACHINE

ITEM NUMBER	PART NUMBER	DESCRIPTION	AMT
1	CT9	Frame.	1
2	SS102812	10-24 x 1/2" Set Screw	1
3	CT4	Drive Pulley.	1
4	CT5	Drive Belt	1
5	MS102412RH	10-24 x 1/2 Round Head Machine Screw . . .	12
6	SS832316	8-32 x 3/16 Set Screw	1
7	CT3	Motor Pulley	1
8	CT2****	Control Board	1
9	EE-14	Rubber Tips.	5
10	WA516S	5/16 SAE Flatwasher.	2
11	LW516	5/16 Lockwasher	4
12	NU51618FHP	5/16-18 Hex Nut	2
13	LW10	#10 Lockwasher	8
14	NU1024FHP	10-24 Hex Nut.	8
15	CTM-15	Motor.	1
16	CT-GTC	Guide Tube Coupler	1
17	CT-GTCAP	Guide Tube End Cap.	1
18	CT-GT	Guide Tube	1
19	CT-PCSR	Power Cord Strain Relief	1
20	CT19	Control Board Mounting Plate	1
21	CT8	Motor Housing	1
22	TBS3218	Air Switch	1
23	FP-1	Foot Pedal	1
24	FP-2	Foot Pedal Hose	1
25	FP-1A*	Foot Pedal Assembly*.	1
26	SS83214	8-32 x 1/4 Set Screw	1
27	CT16	Speed Control Knob	1
28	ORO1008	O-Ring.	1
29	CT6	Speed Control Switch Support	1
30	CT1	Speed Control Switch	1
31	NU1024NY	10-24 Hex Nut Nylock	4
32	CT-SWFR	Forward/Reverse Switch	1
33	SW-Guard	Switch Guard.	1
34	C138290	Spacer	3
35	CT12	Feeder Handle	1
36	RP316114	3/16 x 1 1/4 Roll Pin	1
37	CT13SET	Feeder Bearing Set	1
38	CSSH142058	1/4-20 x 5/8 Socket Head Cap Screw	3
39	CT14	Feeder Body	1
40	CT7	Tension Spring.	1
41	GP1438	Guide Pin.	1
42	CT10	Tension Knob	1
43	CT18	Upper Bearing Insert.	1
44	GFCI	Ground Fault Circuit Interruptr.	1

MODEL CT DRAIN CLEANING MACHINE

ITEM NUMBER	PART NUMBER	DESCRIPTION	AMT
45	CSHH51618112	5/16-18 x 1 1/2 Hex Head Cap Screw	2
46	CB516181	5/16-18 x 1" Carriage Bolt	2
47	S-JC	Jacob Chuck	1
48	CT11CAP	Spindle Cap	1
49	CT11	Drum Spindle	1
50	S-6	Collar	1
51	S-EDB	Elastic Drum Band	1
52	S-1	Drum	1
53	LW34E	3/4 External Lockwasher	1
54	S-9	Washer	1
55	NU3416J	3/4 Hex Jam Nut	1
56	LHS103278SH	Left Hand Screw Socket Head	1
57	S-8	Lock Collar	1
58	MS63238SS	Stainless Steel Metal Screw	4
59	S-2	Drum Cover	1
60	RP1812	Roll Pin for S-7	1
61	S-7	Spacer	1
62	RR50	Retaining Ring	2
63	CT15	Drive Shaft	1
64	OBSF162412	Oilite Bushing	2
65	CT21	Motor Mount Bracket	1
66	LW14	1/4" Lockwasher	4
67	CSHH142034G8	1/4-20 x 3/4 Hex Head Cap Screw Grade 8 .	4
68	CT-GTA**	Guide Tube Assembly**	1
69	CT14A***	Feeder Assy***	1

- * Consist of Items 23 and 24
- ** Consist of Items 16, 17, and 18
- *** Consist of Items 34 through 43
- **** Consist of Item 30