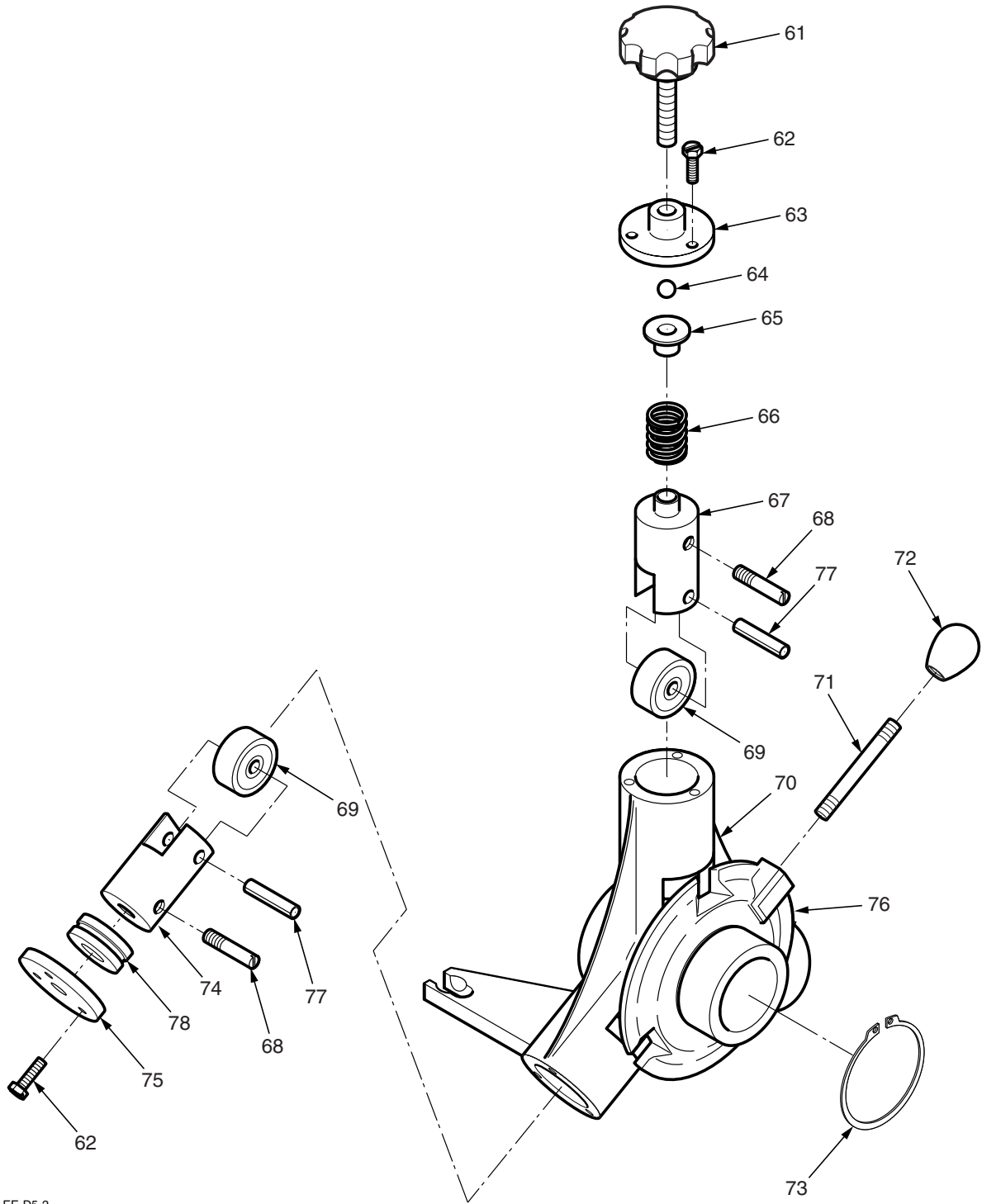


MODEL D5 DRAIN CLEANING MACHINE



EE-D5-2

MODEL D5 DRAIN CLEANING MACHINE

ITEM NUMBER	PART NUMBER	DESCRIPTION	AMT
1	D14R	Handle Right	1
2	D-WL5	5" Loading Wheel	1
3	D14L	Handle Left	1
4	DL-4	Thumb Screw	2
5	NU51624FHP	5/16-24 Hex Nut	1
6	SS5162458DP	5/16-24 x 5/8 Dog Point Set Screw	1
7	D1*	Frame.	1
8	DE-15	Feeder Anchor Bolt	2
9	DE-16	Feeder Anchor Washer	2
10	CSHH516181	5/16-18 x 1 Bolt	4
11	WA516S	5/16 Flatwasher	13
12	DM-1/2	1/2 HP Motor.	1
13	D34	Motor Mount Plate	1
14	RP316114	3/16 x 1 1/4 Roll Pin	1
15	LW516	5/16 Lockwasher	12
16	NU51618FHP	5/16-18 Hex Nut	12
17	D39	Motor Tension Spring	1
18	NU1420W	1/4-20 Wing Nut	2
19	DF-20	1/2" Pulley	1
20	SS51618516	5/16-18 x 5/16 Set Screw	1
21	GFCI	Ground Fault Circuit Interrupter	1
22	FP-1A**	Foot Pedal w/ Hose Assembly	1
23	FP-1	Foot Pedal	1
24	FP-2	Air Hose	1
25	SW-Boot	Switch Boot	1
26	SW-FRP	Forward/Reverse Switch Plate	1
27	SW-FR	Forward/Reverse Switch	1
28	TSC12	Two Screw Connector	1
29	TBS3218	Air Switch	1
30	MS142058FLH	1/4-20 x 5/8 Flat Head Screw	2
31	D36	Belt Guard Bracket	2
32	D10	Brake Lever	1
33	D11	Brake Rod	1
34	SS5161814	5/16-18 x 1/4 Set Screw	1
35	DE-14	Brake Lever Knob	1
36	SS142014	1/4-20 x 1/4 Set Screw	2
37	DF-8	Brake Rod Collar	2
38	VER222	Guide Tube Bearing	1
39	WA34S	3/4 Flatwasher SAE	5
40	NU3410FHPG5	3/4-10 Hex Nut Grade 5	1
41	D21	Guide Tube	1
42	A72	V-Belt	2
43	D16	Cable Drum	1

MODEL D5 DRAIN CLEANING MACHINE

ITEM NUMBER	PART NUMBER	DESCRIPTION	AMT
44	D8	Cable Anchor	1
45	D15	Back Plate	1
46	SER22	Back Plate Bearing	2
47	RR281	Retaining Ring	3
48	D20	Drum Shaft	1
49	D12	Wheel Spacer.	2
50	D33	Belt Guard	1
51	D-W10	10" Wheel	2
52	CP5321	5/32 x 1" Cotter Pin.	2
53	CSHH3816112	3/8-16 X 1 1/2" Bolt	4
54	WA38S	3/8" Flatwasher	8
55	D40	Stair Glider Spacer	4
56	LW38	3/8 Lockwasher	4
57	NU3816FHP	3/8-16 Hex Nut	4
58	D-SG	Stair Glider	2
59	LW34G5	3/4" Lockwasher Grade 5	1
60	CSHH3410112G5	3/4-10 x 1 1/2" Bolt Grade 5.	1
61	DE-7	Tension Handle and Shaft	1
62	MSHH102434	10-24 x 3/4" Hex Head Machine Screw	9
63	DE-5	Top Feeder Head Cap	1
64	BB38	3/8" Ball Bearing.	1
65	DE-8	Ball Bearing Retainer	1
66	DE-9	Tension Spring.	1
67	DE-3	Top Feeder Insert.	1
68	DE-12	Feeder Control Finger.	3
69	DE-10	Feeder Bearing	3
70	DE-17	Feeder Head Body.	1
71	DE-13	Control Lever	1
72	DE-14	Control Lever Knob.	1
73	RR237	Retaining Ring	1
74	DE-4	Lower Feeder Insert.	2
75	DE-6	Lower Feeder Head Cap	2
76	DE-2	Feeder Face Plate	1
77	RP516138	5/16 x 1 3/8" Roll Pin	3
78	DE-11	Feeder Insert Bearing	2
79	DE-1A***	Feeder Head Assembly	1
80	CSHH51618114	5/16-18 x 1 1/4 Bolt	10
81	D47	Rubber Pad	1

* Includes Items 4 (2), 15 (2), 16 (2), 80 (2), and 81

** Includes Items 23, 24

*** Includes Items 61 through 77